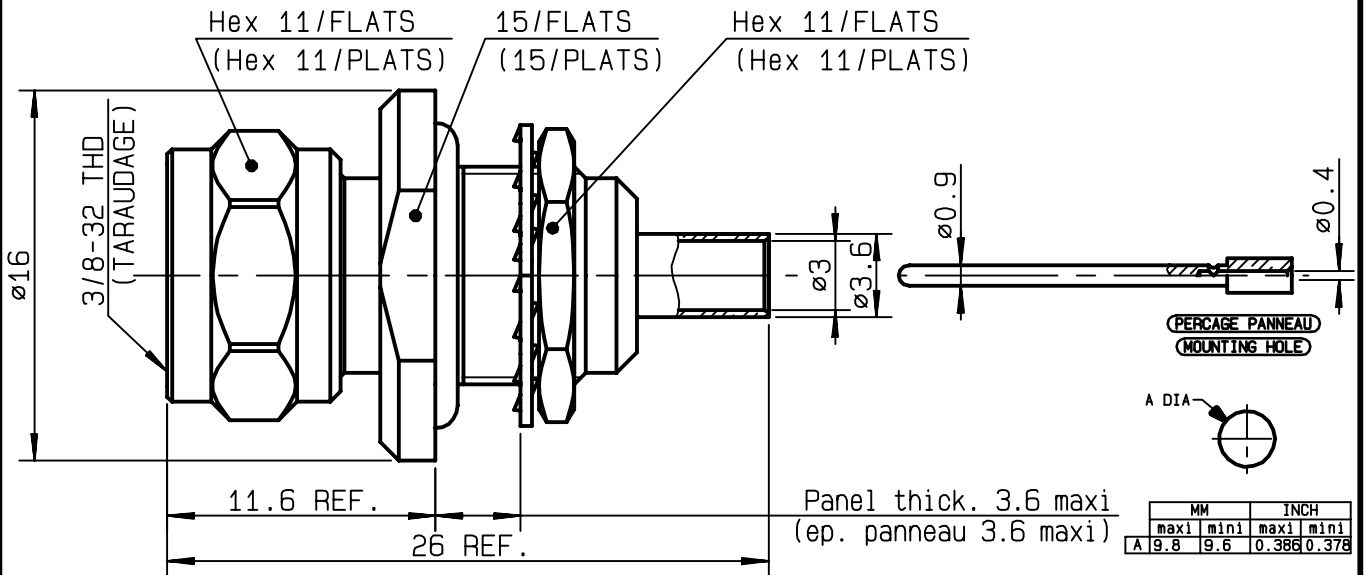


**STRAIGHT BULKHEAD PLUG PANEL SEAL**  
**CRIMP TYPE - CABLE 2.6/75 S - PACK. 100** **R139.076.100**  
**SERIES DT-F**



NOMINAL IMPEDANCE	<b>75</b> Ω	CABLES :	<b>RG 179</b>
FREQUENCY RANGE	<b>0-3</b> GHz		<b>RG 187</b>
TEMPERATURE RATING	<b>-40/+80</b> °C		
V.S.W.R	<b>1.02</b> + <b>.1</b> x F(GHz)Maxi		
RF INSERTION LOSS	<b>0.085</b> √F(GHz) dB Maxi		
VOLTAGE RATING	<b>500</b> Veff Maxi		
DIELECTRIC WITHSTANDING VOLTAGE	<b>1500</b> Veff Mini		
INSULATION RESISTANCE	<b>5000</b> MΩMini	OTHERS CHARACTERISTICS	
HERMETIC SEAL	<b>NA</b> Atm.cm <sup>3</sup> /s	CABLE RETENTION	<b>40</b> N Mini
LEAKAGE (pressurized only)	<b>IP67</b>	CENTER CONTACT RETENTION	
MECHANICAL DURABILITY	<b>500</b> Cycles	Axial force - mating end	<b>NA</b> N Mini
WEIGHT	<b>8.8</b> gr	Axial force - opposite end	<b>NA</b> N Mini
SPECIFICATION		Torque	<b>NA</b> cm.N Mini
		RECOMMENDED TORQUES	
		Mating	<b>60</b> cm.N
		Panel nut	<b>250</b> cm.N
		Clamp nut	<b>NA</b> cm.N

CONNECTOR PARTS:	MATERIALS	FINISH	(all values are given in micrometers)
BODY	BRASS	BBR 2	
OUTER CONTACT			
CENTER CONTACT	BRASS	SILVER 3	
INSULATOR	POLYPROPYLENE	-	
GASKET	SILICONE RUBBER	-	
OTHERS PIECES	BRASS	BBR 2	

ISSUE	CREATION DATE	FILE PART-NUMBER	
<b>9926A00</b>	<b>21/08/1997</b>	<b>EPC 97-01</b>	

BAFFERT

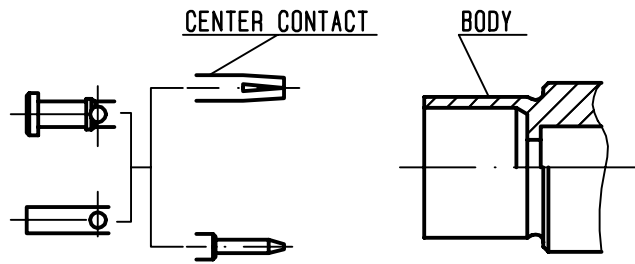
The information given here is subject to change without notice. Design changes may be in order to improve the product .

Connect to the future



**R139.076.100**

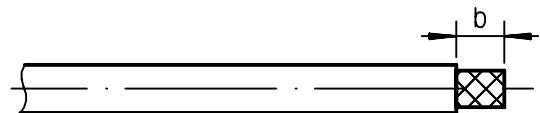
ISSUE 9926A00 SERIES DT-F



①

Strip the cable .

-  
-  
-  
-

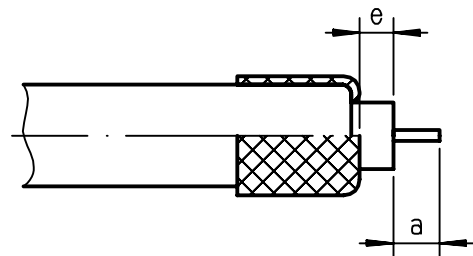


Stripping	a	b	c	d	e
inch	0.118	0.177	0	0	0.059
mm	3	4.5			1.5

②

Fold braid back and trim off extra braid .  
Trim the inner conductor as shown .

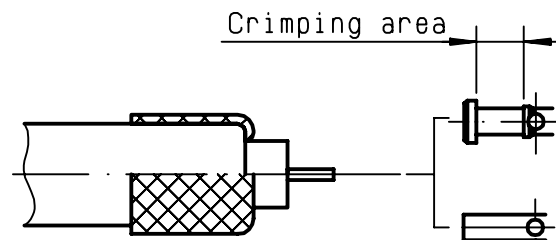
-



③

Slide the center contact until it bottoms against cable dielectric .  
Crimp the center contact , crimping tool R 282 281 000 ( Position 7 )  
+ positionner R282 967 500 or crimping tool M22520/2-01 + positionner R282 967 500

-  
-



④

Slide sub-assembly into the connector body .  
Crimp the body , crimping tool R 282 211 000 ( Hex. : 3.25 ) or crimping tool R 282 293 000 ( M22520/5-01 )  
+ dies R 282 235 003 ( M22520/5-03 )

